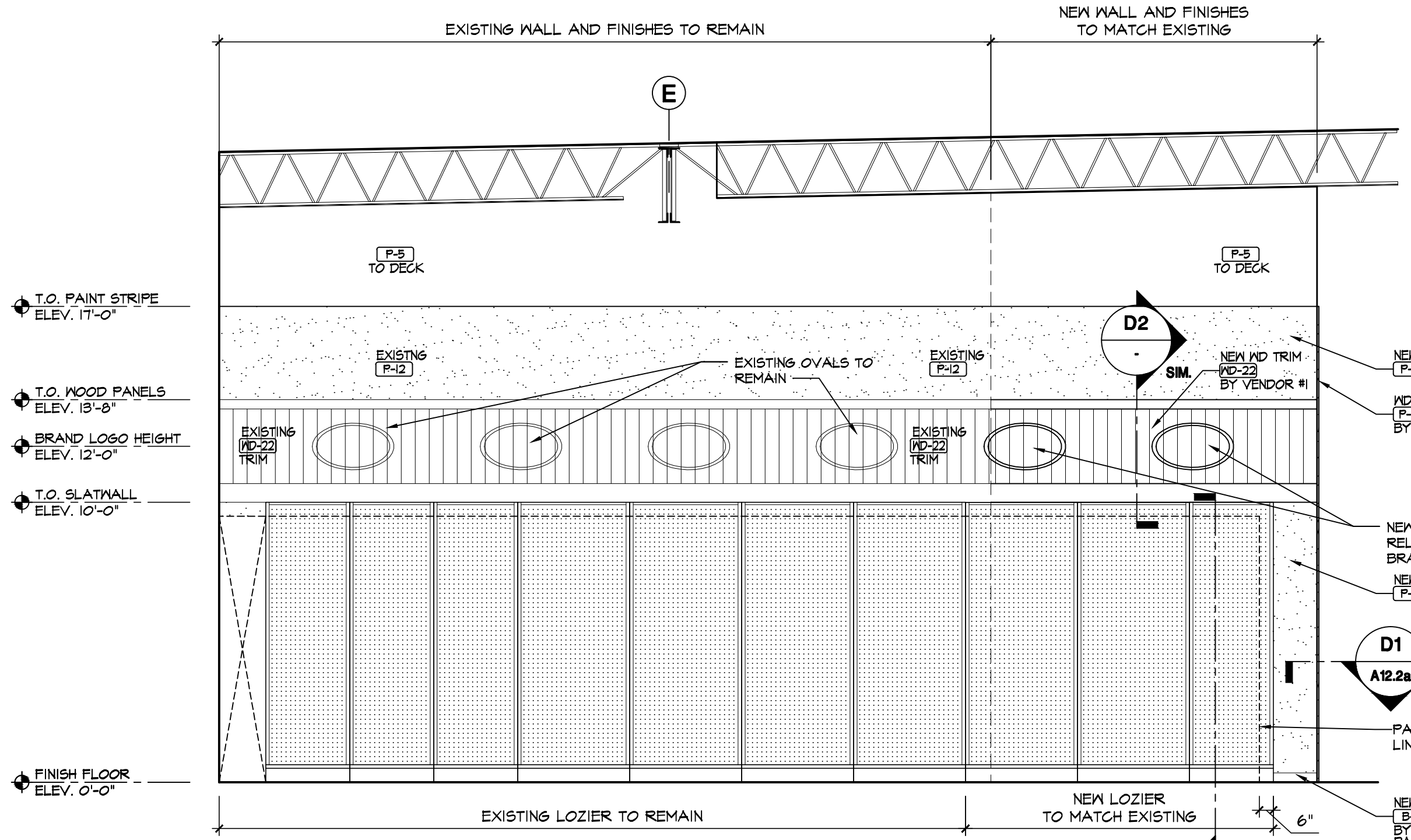


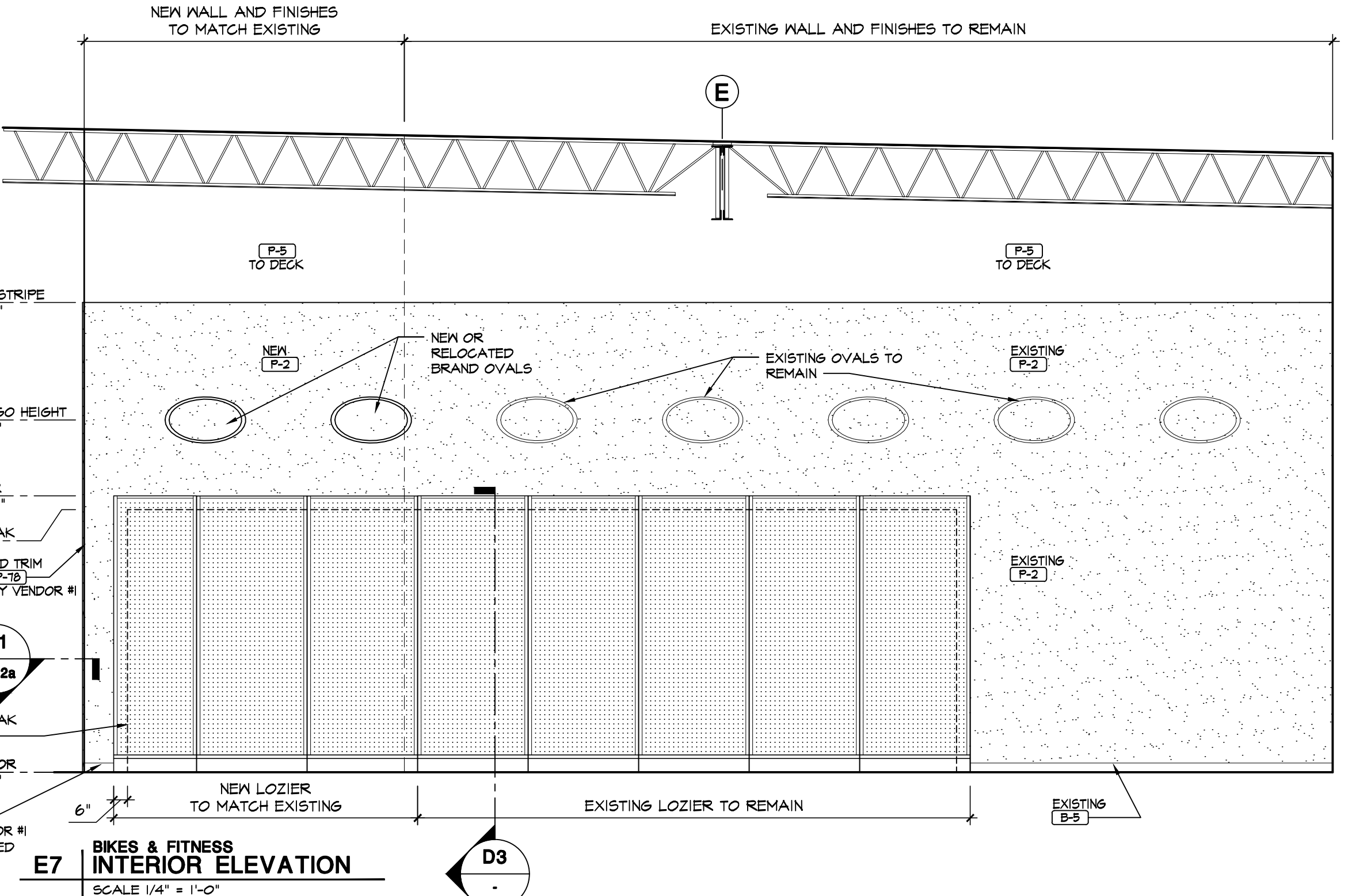
E5 FOOTWEAR INTERIOR ELEVATION
SCALE 1/4" = 1'-0"

INTERIOR FINISH SCHEDULE	
ITEM	DESCRIPTION
(P-1)	PAINT - D56 GREEN
(P-2)	PAINT - RED BAY (D56 RED)
(P-3)	PAINT - EXTRA WHITE
(P-9)	PAINT - WHITE FLOUR
(P-12)	PAINT - D56 CUSTOM LOUISBURG GREEN
(P-34)	PAINT - HARTFORD D56 GREEN
(P-38)	PAINT - IRON ORE
(P-39)	CEDAR WOOD
(B-3)	4" HIGH MDF BASE
(B-30)	6" BLACK VINYL COVERED BASE

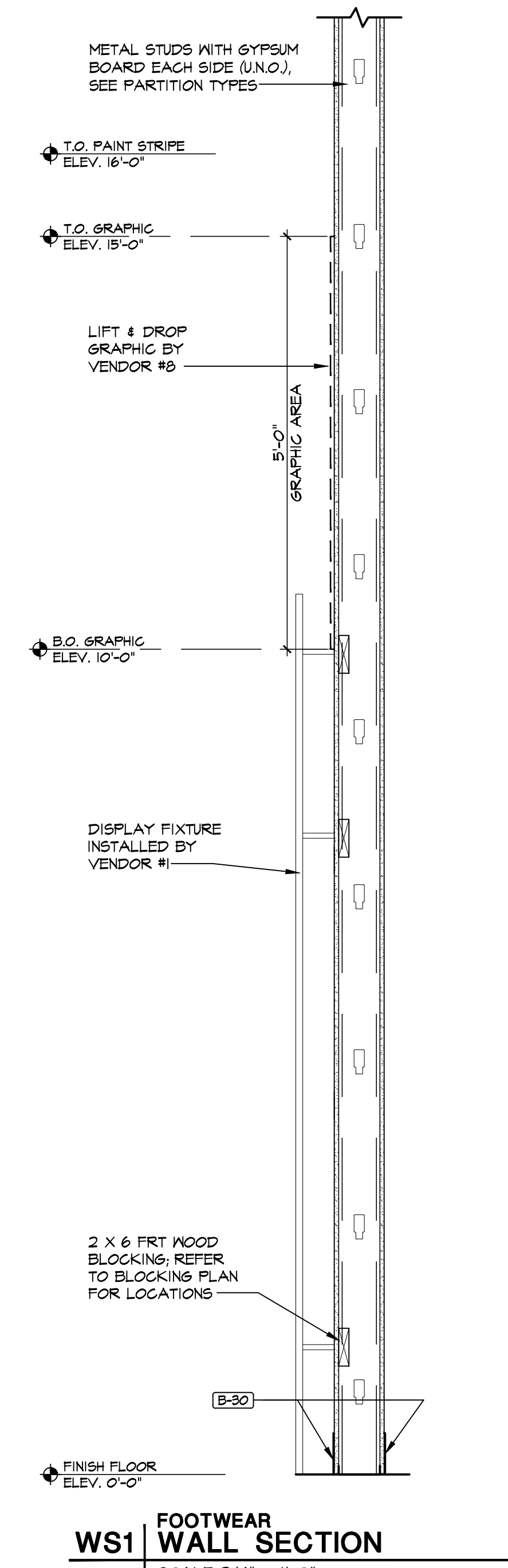
NOTE: REFER TO ROOM FINISH SCHEDULE FOR ADDITIONAL FINISHES.



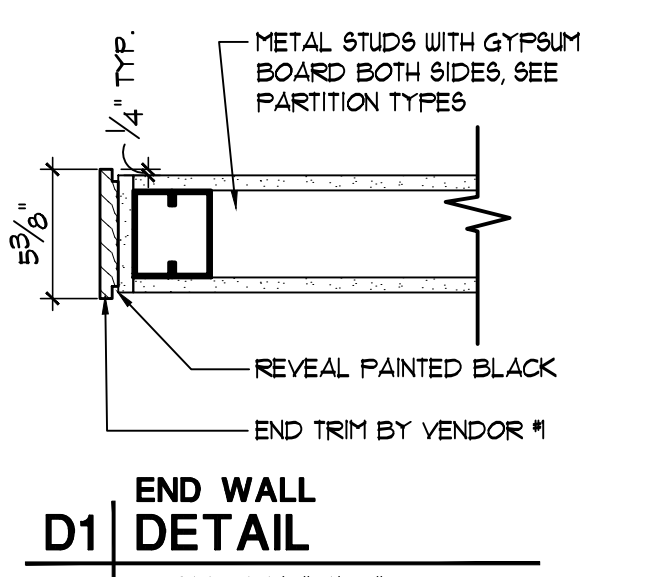
E6 LODGE INTERIOR ELEVATION
SCALE 1/4" = 1'-0"



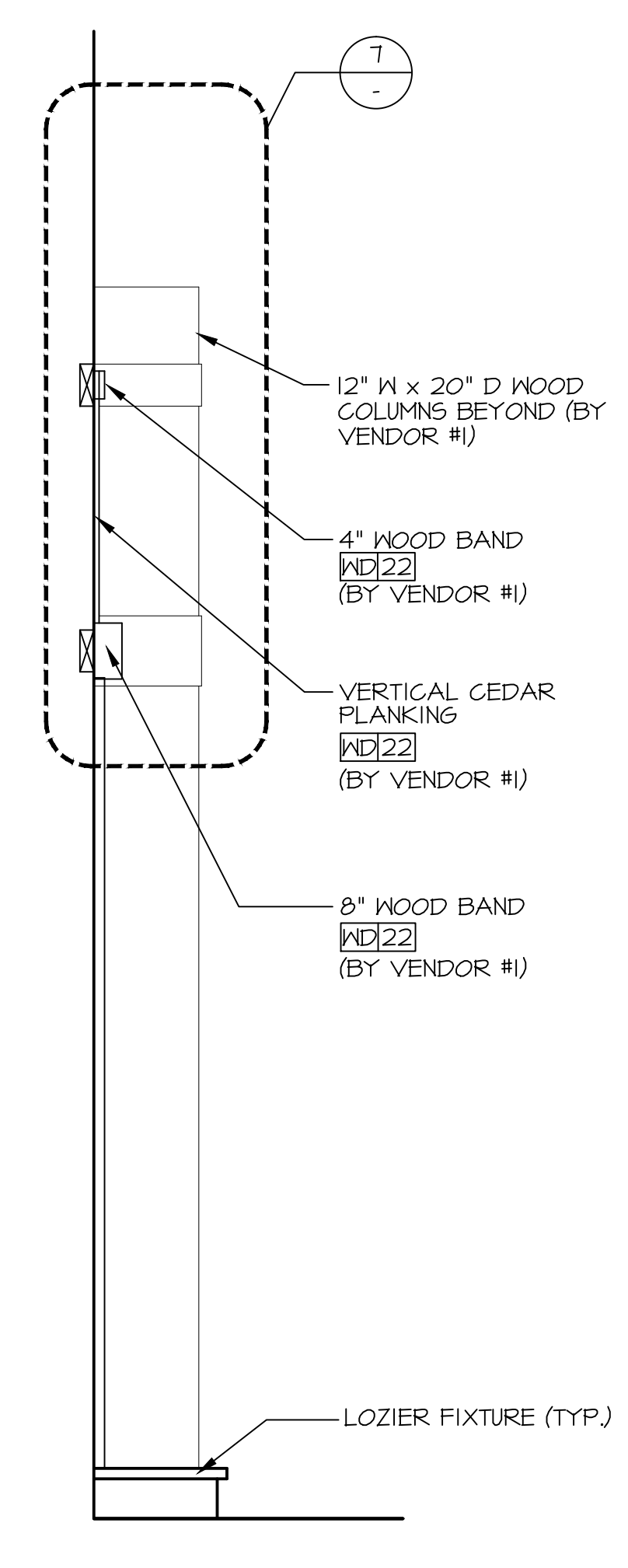
E7 BIKES & FITNESS INTERIOR ELEVATION
SCALE 1/4" = 1'-0"



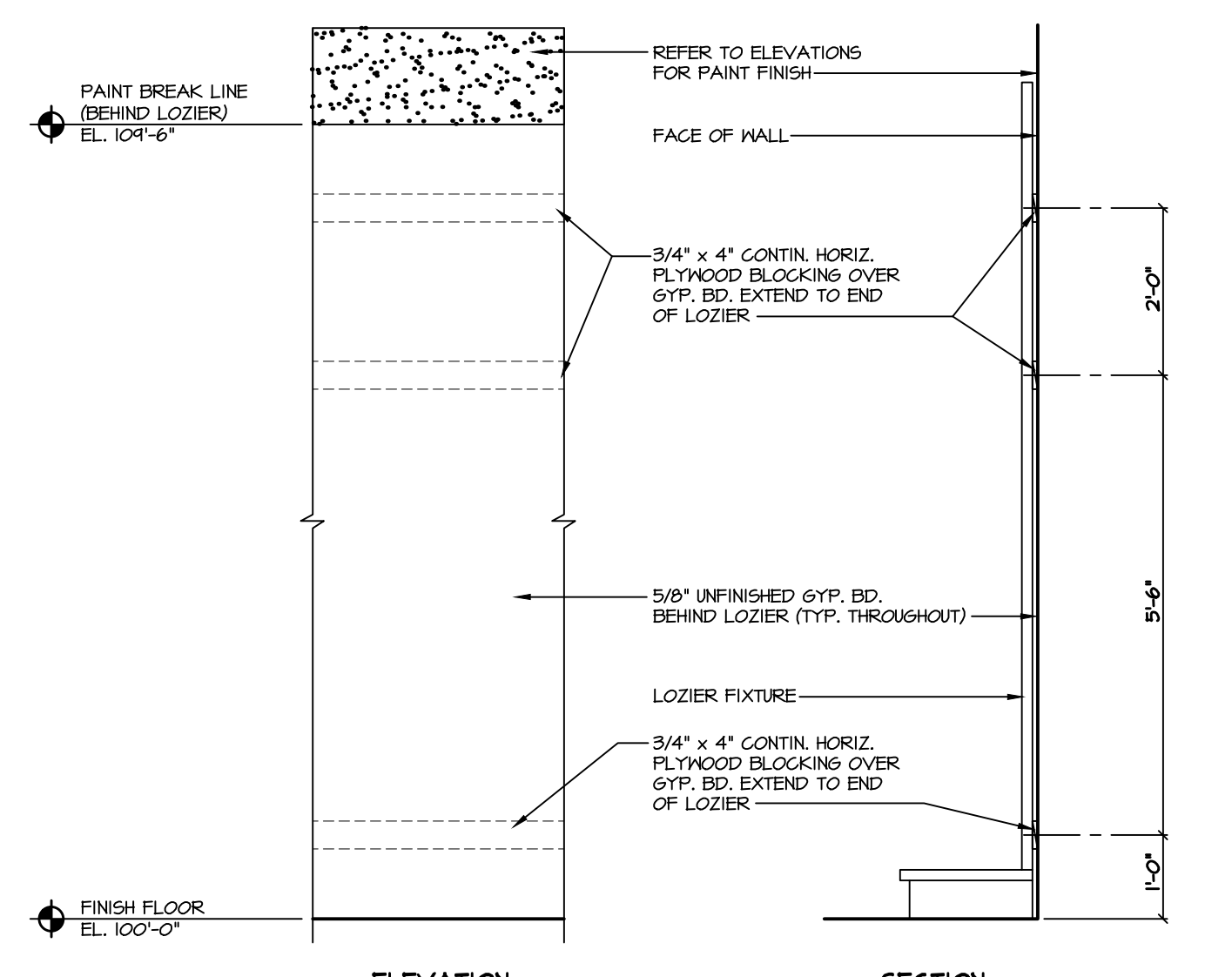
WS1 FOOTWEAR WALL SECTION
SCALE 3/4" = 1'-0"



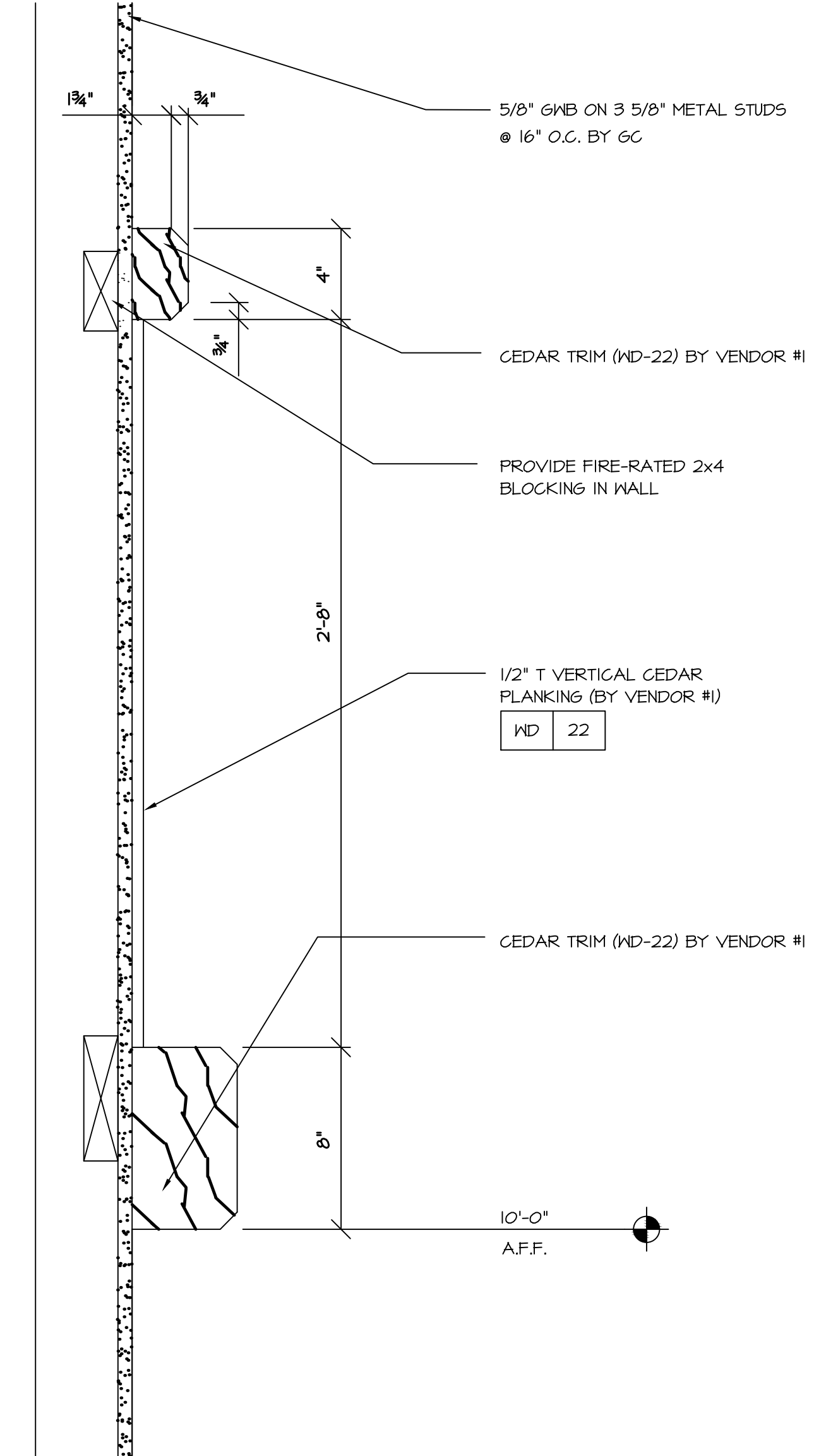
D1 END WALL DETAIL
SCALE: 1-1/2" = 1'-0"



2 HUNTING LODGE WALL SECTION
SCALE: 3/8" = 1'-0"



3 LOZIER BLOCKING DETAIL
SCALE: 1/2" = 1'-0"



7 WOOD PLANKING DETAIL
SCALE: 3/4" = 1'-0"

Design and construction documents are instruments of service and remain the property of Herschman Architects. The use of this design and these construction documents for purposes other than the specific project named herein is strictly prohibited without expressed written consent of Herschman Architects, Incorporated.

Date	Issue
2/12/2016	BID/PERMIT

Drawn By: LCEB
Project No.: 15221.00

SELF-DEVELOPED STORES
 all referenced material accounts, and the sole responsibility of the Owner. The Designer's liability is limited to the scope of work and/or responsibility shown in these plans and/or specifications.

DICK'S SPORTING GOODS
2016 FOOTWEAR REMODEL
GREEN BAY, WI
store #380

HERSCHMAN ARCHITECTS
INCORPORATED
25001 EMERY ROAD, SUITE 400
CLEVELAND, OH 44128
TEL (216) 223-3200
FAX (216) 223-3210
www.herschmanarchitects.com

SECTIONS AND DETAILS
A12.2a